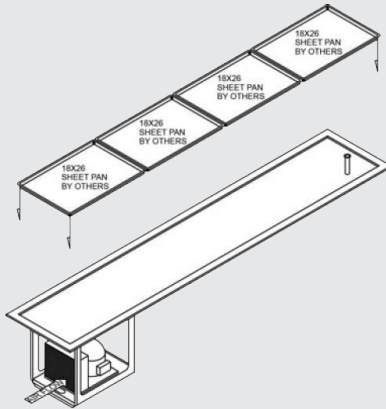




**MAX-FRESH**  
HOT/COLD SYSTEMS



Model FT-7400SL

## Refrigerated Drop-In Frost Tops Slim Line

### Model

FT-7200SL

FT-7300SL

FT-7400SL

### STANDARD FEATURES

- Slim Line Frost tops are designed for narrow counters
- Self contained drop-in design
- Hold standard 18" by 26" sheet pans or ½ size pans
- Stainless steel top and liner for maximum strength and durability
- 1" drain for ease of cleaning
- On-off switch with 8 ft. cord & plug for ease of installation and operation
- Type 134A or 404A CFC free refrigerants
- Fully insulated, CFC free, foamed-in place for energy savings
- Quick & easy service with sight glass, service valves, filter/dryer and receiver
- Limited 1 year parts & labor warranty

### OPTIONS & ACCESSORIES

- Remote on/off switch
- 220/230/240V
- 50 cycle
- Remote models with condensing units

### DESCRIPTION

USECO Slim Line Refrigerated Drop-In Frost Tops are designed to keep pre-chilled food and beverage products at cold, fresh serving temperatures designed for narrow counters. All models are completely self-contained. Each section holds a full-size sheet pan and is available from two to four- pan models and are CFC free.

### SPECIFICATIONS

**Top**– Die-stamped stainless steel construction with a 1" drain for ease of cleaning. It can accommodate half and full size sheet pans. Features adjustable temperature controls.

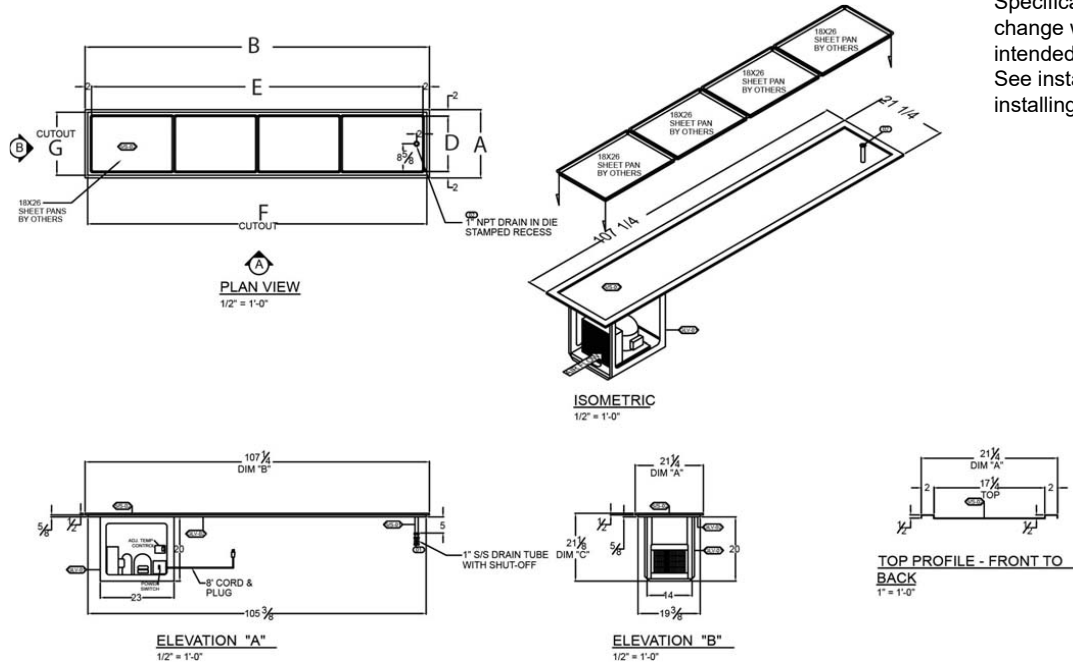
**Interior** – CFC free insulation on side and bottom. Condensing unit mounted on corrosion resistant frame below the cold pan.

**Refrigeration** – Refrigeration coils are attached to the underside of the frost top for maximum efficiency and cooling. Air cooled CFC-free refrigerant system features self-contained condenser and sealed compressor and an on/off switch with 8 ft. cord and plug set. Refrigeration system features sight glass, easy service valves, dryer/filter and receiver.



## Model FT-7400SL

shown below



Specifications are subject to change without notice and are not intended for installation purposes. See installations instructions prior to installing the unit.

### SPECIFICATIONS

Model Number	OVERALL DIMENSIONS			INTERIOR DIMENSIONS		CUT OUT DIMENSIONS	
	A Front to Back Inches (MM)	B Left to Right Inches (MM)	C Height Inches (MM)	D Front to Back Inches (MM)	E Left to Right Inches (MM)	F Front to Back Inches (MM)	G Left to Right Inches (MM)
FT-7200SL	21-1/4 (540)	55-1/4 (1404)	21-1/8 (537)	17-1/4 (439)	51-1/4 (1302)	53-5/8 (1362)	19-5/8 (499)
FT-7300SL	21-1/4 (540)	81-1/4 (2064)	21-1/8 (537)	17-1/4 (439)	77-1/4 (1963)	79-5/8 (2022)	19-5/8 (499)
FT-7400SL	21-1/4 (540)	107-1/4 (2743)	21-1/8 (537)	17-1/4 (439)	103-1/4 (2623)	105-5/8 (2683)	19-5/8 (499)

### SHIPPING INFORMATION

Model Number	WEIGHTS		CARTON DIMENSIONS			CRATE SIZE	
	SHIPPING WEIGHT POUNDS (KG)	INSTALLED WEIGHT POUNDS (KG)	WIDTH Inches (MM)	DEPTH Inches (MM)	HEIGHT Inches (MM)	CUBIC FEET	CUBIC METERS
FT-7200SL	105 (48)	90 (41)	56-3/4 (1441)	25-3/4 (654)	22-11/16 (576)	19.2	0.54
FT-7300SL	119 (54)	101 (46)	82-3/4 (2102)	25-3/4 (654)	22-11/16 (576)	28	0.79
FT-7400SL	142 (65)	122 (55)	108-3/4 (2762)	25-3/4 (654)	22-11/16 (576)	36.8	1.04

### POWER SUPPLY

Model Number	VOLTS	HP	AMPS	PHASE	POWER SUPPLY	REFRIGERANT
FT-7200SL	115	1/4	4.9	SINGLE	NEMA 5-15P	134A
FT-7300SL	115	1/3	5.6	SINGLE	NEMA 5-15P	404A
FT-7400SL	115	1/2	6.4	SINGLE	NEMA 5-15P	404A