
**Model AFCP-143**

## Refrigerated Cold Pans Extra Capacity 4/3 Pans Models

### Model

AFCP-143

AFCP-243

AFCP-343

AFCP-443

AFCP-543

AFCP-643

### STANDARD FEATURES

- NSF-7 compliant with 1" recessed top edge
- Self contained drop-in design
- Each well holds 4 each 3rd size pans or equivalent fractional sized pans per well
- 18 gauge stainless steel top and liner for maximum strength and durability
- 1" drains for ease of cleaning
- On-off switch with 8 ft cord & plug for ease of installation and operation
- Type 134A and type 404A CFC free refrigerant
- Fully insulated, CFC free, foamed-in place insulation keeps food cold while saving energy
- Recessed ledge for pan support and colder, fresher products
- Quick & easy service with sight glass, service valves, filter/dryer and receiver
- Limited 1 year parts & labor warranty

### OPTIONS & ACCESSORIES

- Perforated bottom strainer plate conveniently holds ice above drain to prevent clogging
- Adaptor bars for fractional sized pans
- Remote on/off switch
- 220/230/240V
- 50 cycle
- Remote models with or without condensing units

### DESCRIPTION

USECO Refrigerated Drop-In Cold Pans hold pre-chilled food products at cold, fresh and safe serving temperatures. All models are completely self-contained in one to six-pan models with individual thermostatic controls, are CFC free and include an 8 ft. 120V cord and plug. Pans are recessed 1" to comply with NSF-7 performance requirements. Each well holds 4 each 3rd size pans or equivalent fractional sized pans.

### SPECIFICATIONS

**Exterior** – One-piece top flange and coved-corner interiors constructed of 18 gauge stainless steel. Exterior body constructed of heavy gauge, corrosion resistant steel. Condensing unit mounted on corrosion resistant frame below the cold pan.

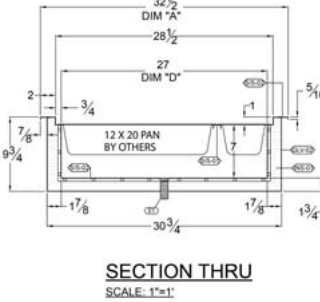
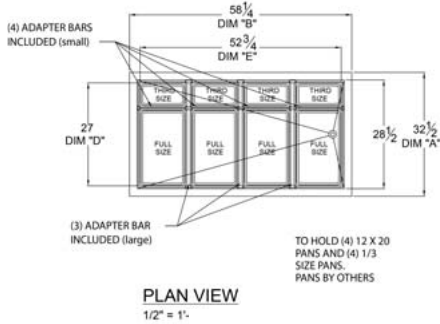
**Interior** – CFC free foamed-in-place insulation through-out, 1" drain located in the center for easy cleaning. Ledge is recessed 3" to comply with NSF-7 requirements, allowing a layer of air to insulate food and for pan support.

**Refrigeration** – Air cooled, type 134A or 404A CFC free refrigerant system featuring wrapped coil construction on both sides and bottom, individual thermostats, on/off switch, 8 ft. cord and plug set NEMA 5-15P (120V models). Refrigeration system features sight glass, easy service valves, dryer/filter and receiver.



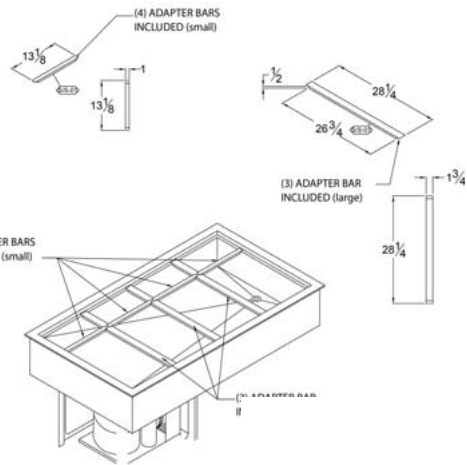
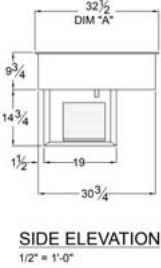
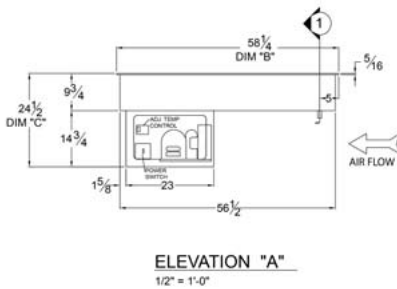
**Model AFCP-443**

shown below



**Note:** Specifications are subject to change without notice and are not intended for installation purposes. See installation instructions prior to installing the unit.

**COUNTER CUTOUT:**  
56 3/4" (DIM "G") X 31" (DIM "F")


**SPECIFICATIONS**
**SHIPPING INFORMATION**

 AFCP-143  
 AFCP-243  
 AFCP-343  
 AFCP-443  
 AFCP-543  
 AFCP-643

 AFCP-143  
 AFCP-243  
 AFCP-343  
 AFCP-443  
 AFCP-543  
 AFCP-643

**POWER SUPPLY- REFRIGERATION OPERATION**

 AFCP-143  
 AFCP-243  
 AFCP-343  
 AFCP-443  
 AFCP-543  
 AFCP-643


5-15P