
Model AFCP3-SLST

Slim Line Slope Top Refrigerated Cold Pans

Model

AFCP2-SLST

AFCP3-SLST

AFCP4-SLST

STANDARD FEATURES

- ❑ 1" recessed top edge to comply with NFS-7 requirements
- ❑ Pans are raised in the rear for improved visibility and access to food products
- ❑ Controls located on the operator side (high side of the slope)
- ❑ Self contained drop-in design
- ❑ Hold standard 12" by 20" food pans and fractional sized pans
- ❑ Meets NSF Standard 7
- ❑ Stainless steel top and liner for maximum strength and durability
- ❑ 1" drains for ease of cleaning
- ❑ On-off switch with 8 ft. cord & plug for ease of installation and operation
- ❑ Type 134A or 404A CFC free refrigerant
- ❑ Fully insulated, CFC free, foamed-in place insulation keeps food cold while saving energy
- ❑ Recessed ledge for pan support and colder, fresher products
- ❑ Quick & easy service with sight glass, service valves, filter/dryer and receiver
- ❑ Limited 1 year parts and labor warranty

OPTIONS & ACCESSORIES

- ❑ Perforated bottom strainer plate conveniently holds ice above drain to prevent clogging
- ❑ Adaptor bars for fractional sized pans
- ❑ Remote on/off switch
- ❑ 220/230/240V
- ❑ 50 cycle
- ❑ Remote models with or without condensing units

DESCRIPTION

USECO Refrigerated Slim Line Slope Top Drop-In Cold Pans are designed for narrow counters and hold pre chilled food products at cold, fresh and safe serving temperatures. All models are completely self-contained in two, three or four-well models and are CFC free. Pans are recessed 3" to comply with NSF-7 performance requirements. Includes an 8 ft. 120V cord and plug (120V models). Pans are raised in the rear for improved visibility and access to food products.

SPECIFICATIONS

Exterior – One-piece top flange and coved-corner interiors constructed of 18 gauge stainless steel. Exterior body constructed of heavy gauge, corrosion resistant steel. Condensing unit mounted on corrosion resistant frame below the cold pan.

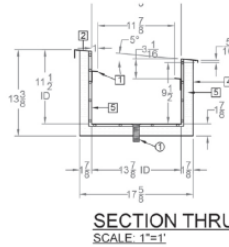
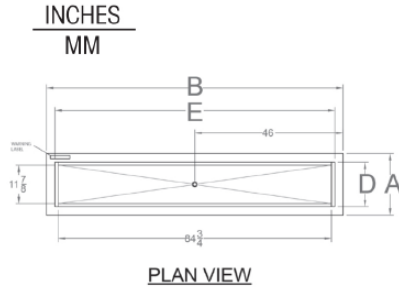
Interior – CFC free foamed-in-place insulation through-out, 1" drain located in the center for easy cleaning. Ledge is recessed 3" to comply with NSF-7 requirements, allowing a layer of air to insulate food and for pan support.

Refrigeration – Air cooled, type 134A or 404A CFC free refrigerant system featuring wrapped coil construction on both sides and bottom, individual thermostats, on/off switch, 8 ft. cord and plug set NEMA 5-15P (120V models). Refrigeration system features sight glass, easy service valves, dryer/filter and receiver.

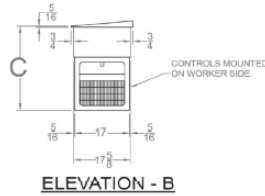
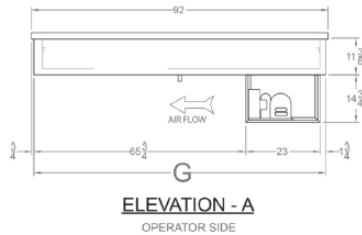
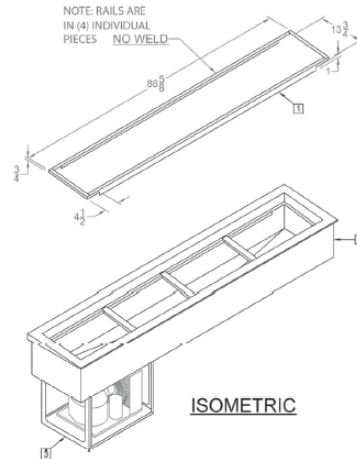
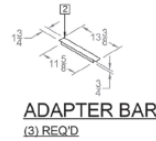


Model AFCP4-7SLST

shown below



Note: Specifications are subject to change without notice and are not intended for installation purposes. See installation instructions prior to installing the unit.



NOTE: CONTROLS LOCATED ON OPERATOR (HIGH) SIDE

SPECIFICATIONS								SHIPPING INFORMATION							
Model Number	OVERALL DIMENSIONS			INTERIOR DIMENSIONS		CUT OUT DIMENSIONS		Model Number	WEIGHTS		CARTON DIMENSIONS			CRATE SIZE	
	A Front to Back Inches (MM)	B Left to Right Inches (MM)	C Height Inches (MM)	D Front to Back Inches (MM)	E Left to Right Inches (MM)	F Front to Back Inches (MM)	G Left to Right Inches (MM)		SHIPPING WEIGHT POUNDS (KG)	INSTALLED WEIGHT POUNDS (KG)	WIDTH Inches (MM)	DEPTH Inches (MM)	HEIGHT Inches (MM)	CUBIC FEET	CUBIC METERS
AFCP2-7SLST	19-1/8 (486)	49 (1244)	26-1/8 (664)	13-7/8 (352)	43-3/4 (1111)	17-7/8 (454)	47-3/4 (1213)	AFCP2-7SLST	220 (100)	190 (86)	29 (737)	34 (864)	32 (813)	18.26	0.52
AFCP3-7SLST	19-1/8 (486)	70-1/2 (1790)	26-1/8 (664)	13-7/8 (352)	65-1/4 (1657)	17-7/8 (454)	69-1/4 (1756)	AFCP3-7SLST	240 (108)	210 (96)	29 (737)	48 (1219)	32 (813)	25.78	0.73
AFCP4-7SLST	19-1/8 (486)	92 (2336)	26-1/8 (664)	13-7/8 (352)	86-3/4 (2203)	17-7/8 (454)	90-3/4 (2305)	AFCP4-7SLST	275 (124)	240 (109)	29 (737)	62 (1575)	32 (813)	33.3	0.94

POWER SUPPLY

Model Number	VOLTS	HP	AMPS	PHASE	POWER SUPPLY	REFRIGERANT
AFCP2-7SLST	115	1/4	4.9	SINGLE	NEMA 5-15P	134A
AFCP3-7SLST	115	1/3	5.6	SINGLE	NEMA 5-15P	134A
AFCP4-7SLST	115	1/2	6.4	SINGLE	NEMA 5-15P	134A



5-15P